



TWIN 2 X10W SECURITY SPOT LIGHT 3CCT WHITE - NO SENSOR

VBLWL-400-1-CCT



Our VIBE Single LED Security Spotlight is subtly stylish & practical as it delivers single spot lighting and features an optional PIR sensor with a 12m max detection range. Complete with a Weatherproof IP65 Rating. Includes a 50,000 hour lifespan and 3 year warranty. Twin Spot available as well.

Features & Benefits

- Adjustable PIR sensor functions on time, motion and light sensitivity
- Easily switchable colour changing temperature (3CCT) warm white 3000K to daylight 6000K
- Made from durable die cast aluminium and plastic
- IP65 weather resistant for outdoor use
- Independently Adjustable heads
- Easy installation
- 20,000 hour lifespan
- 3 year warranty

TWIN 2 X10W SECURITY SPOT LIGHT 3CCT WHITE - NO SENSOR

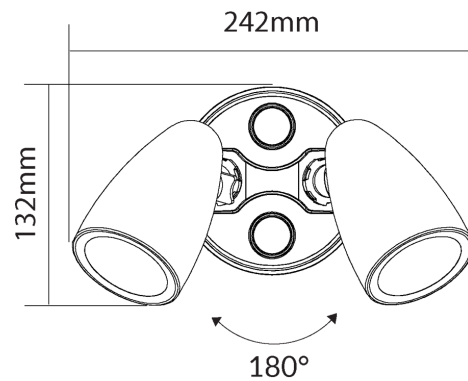
VBLWL-400-1-CCT

Specifications

SKU	VBLWL-400-1-CCT
Luminaire efficacy	100 lm/W
EAN	9340994031668
Weight	0.65
Light Colour	3CCT
Wattage	20 W
Lumen output	2000 lm
IP rating	65
CRI	80
Beam Angle	105 Degrees
Trim colour	White
Diameter	180 mm
Length	300 mm
Height	132 mm
Lifespan	20000 Hours
Warranty	3 Years
Dimmable	Non-Dimmable
Mounting type	Surface
LED source	SMD
Material	Die Cast Aluminium, Plastic
Lamp Type	LED
Input voltage	220-240V/ 50Hz
Wiring method	Hardwire
Weatherproof	Weatherproof
Working temperature	-20 to 45 degrees
Box Qty	1
Pallet Qty	288
Kelvin	3000K/4000K/6500K



Dimensional Drawings



Photometric information available upon request.