



SINGLE 1 X10W SECURITY SPOT LIGHT 3CCT BLACK W SENSOR

VBLWL-410-4-CCT-S



Our VIBE Sensored Single LED Security Spotlight is subtly stylish & practical as it delivers single spot lighting and features an optional PIR sensor with a 12m max detection range. Complete with a Weatherproof IP44 Rating. Includes a 50,000 hour lifespan and 3 year warranty. Twin Spot available as well.

Features & Benefits

- Adjustable PIR sensor functions on time, motion and light sensitivity
- Easily switchable colour changing temperature (3CCT) warm white 3000K to daylight 6000K
- Made from durable die cast aluminium and plastic
- IP44 weather resistant for outdoor use
- Independently Adjustable heads
- Easy installation
- 20,000 hour lifespan
- 3 year warranty

SINGLE 1 X10W SECURITY SPOT LIGHT 3CCT BLACK W SENSOR

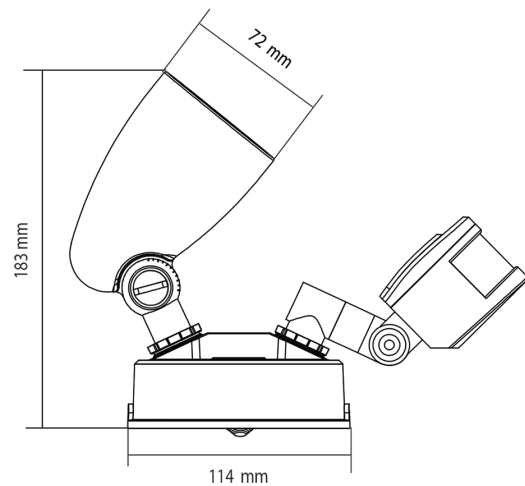
VBLWL-410-4-CCT-S

Specifications

SKU	VBLWL-410-4-CCT-S
Luminaire efficacy	100 lm/W
EAN	9340994027470
Weight	0.45
Light Colour	3CCT
Wattage	10 W
Lumen output	1000 lm
IP rating	65
CRI	80
Beam Angle	105 Degrees
Trim colour	Black
Diameter	180 mm
Length	240 mm
Height	208 mm
Lifespan	20000 Hours
Warranty	3 Years
Mounting type	Surface
LED source	SMD
Material	Aluminum & Plastic
Lamp Type	LED
Input voltage	240 Volt AC 50HZ
Wiring method	Hardwire
Weatherproof	Non-weatherproof
Working temperature	-20 to 40 degrees
Box Qty	24



Dimensional Drawings



Photometric information available upon request.