



## 1.2W LED WALL LIGHT WHITE 2CCT 3000K/4000K DUAL

### VBLWL-8005-1-CCT



Discover the ultimate in flexibility and style with our Surface Mounted LED Wall Lights, featuring 2CCT switchable options to create customised lighting effects. These lights offer dual installation directions—upward or downward—allowing you to create dynamic lighting effects that enhance any space. Featuring a sleek, screw-free design, these lights add a modern touch while staying clean and looking great after installation. The anti-glare technology ensures comfortable, glare-free illumination, while the built-in driver facilitates a straightforward setup with a direct mains connection. Enhanced with superior thermal management, these lights deliver reliable performance and long-lasting durability, making them an ideal choice for both style and functionality.

### Features & Benefits

- 2CCT Switchable - 3000K/4000K
- Trendy yet durable aesthetic design
- Sleek, screw-free exterior post-installation
- Dual installation direction for dynamic effects
- Anti -glare design
- Built-in driver for direct mains connection
- Superior thermal management for longevity
- Triac-Dimmable
- IP20 rated

- 50,000 hour lifespan
- 3 year warranty

# 1.2W LED WALL LIGHT WHITE 2CCT 3000K/4000K DUAL

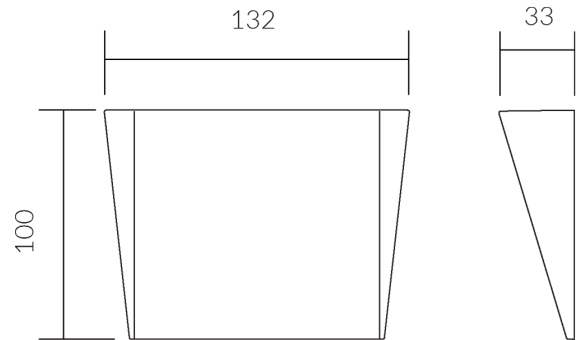
VBLWL-8005-1-CCT

## Specifications

<b>SKU</b>	VBLWL-8005-1-CCT
<b>EAN</b>	9340994031040
<b>Light Colour</b>	2CCT
<b>Wattage</b>	1.2 W
<b>Lumen output</b>	180 lm
<b>IP rating</b>	20
<b>CRI</b>	80
<b>Trim colour</b>	White
<b>Length</b>	132 mm
<b>Width</b>	33 mm
<b>Height</b>	100 mm
<b>Lifespan</b>	50,000 Hours
<b>Warranty</b>	3 Years
<b>Dimmable</b>	Dimmable
<b>Mounting type</b>	Surface
<b>Material</b>	Aluminium
<b>Lamp Type</b>	LED
<b>Dimming</b>	Triac Dimming
<b>Input voltage</b>	220V-240V AC 50HZ
<b>Kelvin</b>	3000K/4000K



## Dimensional Drawings



*Photometric information available upon request.*