



## SUSPENDED PENDANT 260X290MM WITH E27 BASE WOODGRAIN AND WHITE

### VBP-PD-2629-1-E27

These stunning, architecturally designed, white hood with woodgrain lamps base, the Pendant Lights make a striking feature light in any home, office, gallery, museum or retail store. Equipped E27 lamp base, suitable for wide range of LED or halogen light bulbs. Available in black or white, they are sure to be a feature light in any space.

### Features & Benefits

- Architecturally designed Pendant
- Equipped with E27 lamp base
- Low glare lighting
- Available in White and Black trim colour
- 1 year warranty



# SUSPENDED PENDANT 260X290MM WITH E27 BASE WOODGRAIN AND WHITE

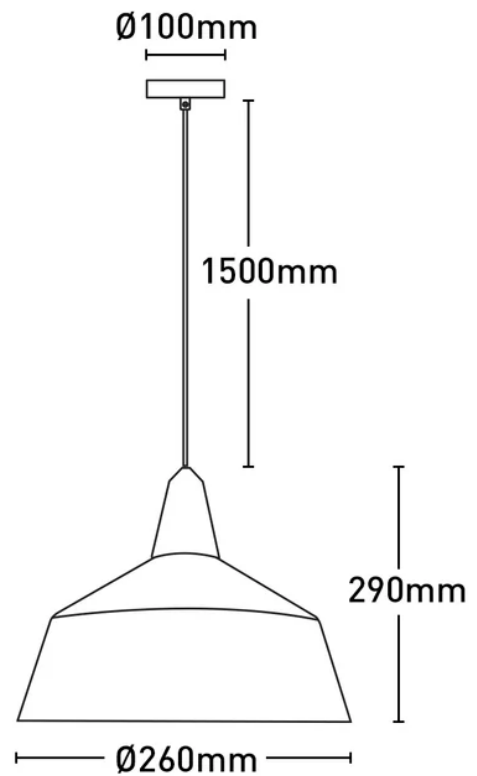
VBP-PD-2629-1-E27

## Specifications

|                      |                     |
|----------------------|---------------------|
| <b>SKU</b>           | VBP-PD-2629-1-E27   |
| <b>Wattage</b>       | 25W MAX W           |
| <b>Trim colour</b>   | White               |
| <b>Base Type</b>     | E27                 |
| <b>Diameter</b>      | 260 mm              |
| <b>Height</b>        | 290 mm              |
| <b>Warranty</b>      | 1 Years             |
| <b>Mounting type</b> | Ceiling / Suspended |
| <b>Material</b>      | Metal               |
| <b>Input voltage</b> | 220-240V / 50Hz     |
| <b>Wiring method</b> | Hardwire            |



## Dimensional Drawings



*Photometric information available upon request.*