



SUSPENDED PENDANT 260X290MM WITH E27 BASE WOODGRAIN AND WHITE

VBP-PD-2629-1-E27

These stunning, architecturally designed, white hood with woodgrain lamps base, the Pendant Lights make a striking feature light in any home, office, gallery, museum or retail store. Equipped E27 lamp base, suitable for wide range of LED or halogen light bulbs. Available in black or white, they are sure to be a feature light in any space.

Features & Benefits

- Architecturally designed Pendant
- Equipped with E27 lamp base
- Low glare lighting
- Available in White and Black trim colour
- 1 year warranty



SUSPENDED PENDANT 260X290MM WITH E27 BASE WOODGRAIN AND WHITE

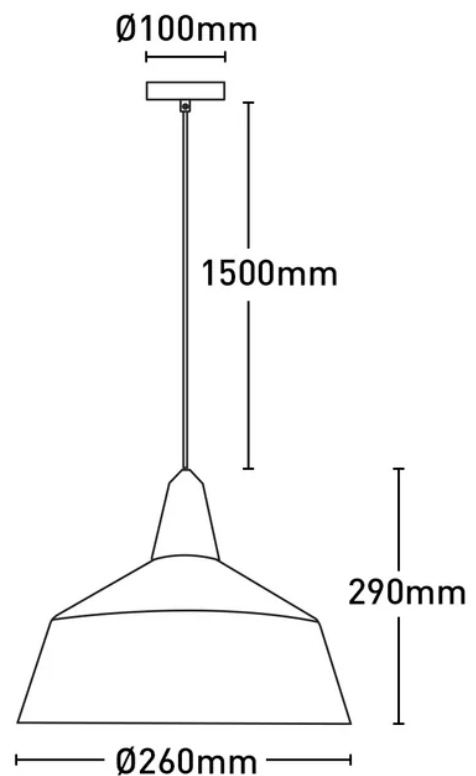
VBP-PD-2629-1-E27

Specifications

SKU	VBP-PD-2629-1-E27
Wattage	25W MAX W
Trim colour	White
Base Type	E27
Diameter	260 mm
Height	290 mm
Warranty	1 Years
Mounting type	Ceiling / Suspended
Material	Metal
Input voltage	220-240V / 50Hz
Wiring method	Hardwire



Dimensional Drawings



Photometric information available upon request.