



9.2W LED SOLAR BOLLARD BLK 900MM IP65

VBSOLB010PRE



The VIBE colour changing LED Solar bollard is designed to deliver exceptional dusk-to-dawn constant lighting, ensuring your outdoor space remains well-illuminated throughout the night without manual adjustments. The bollards weatherproof construction features a lamp housing made from high-impact polycarbonate, complemented by a stem and baseplate of powder-coated aluminum, all secured by tamper-proof fixings. Select from three different light colour temperatures - to tailor individual lighting preference, alongside convenient ON/OFF manual control. Notably, chosen settings are memorised for trouble-free automatic dusk-to-dawn lighting, making it an ideal choice for both residential and commercial outdoor spaces.

Features & Benefits

- Remote controlled RGB CCT colour selection, timer and brightness
- >3 nights autonomy
- Reinforced aluminium bollard and baseplate
- Custom bollard stem colours available
- Symmetrical light pattern
- Stainless steel tamper proof fixings
- Australian standard P5 compliant
- Automatic dusk to dawn lighting



- LiFeP04 Battery: 12AH 3.2V (38.4Wh)

9.2W LED SOLAR BOLLARD BLK 900MM IP65

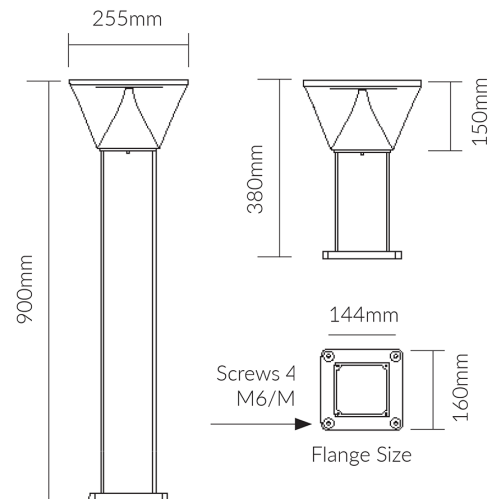
VBSOLB010PRE

Specifications

SKU	VBSOLB010PRE
Light Colour	RGBCW
Wattage	9.2 W
IP rating	65
Trim colour	Black
Width	255 mm
Height	900 mm
Lifespan	50000 Hours
Warranty	2 Years
Material	Powder-coated Aluminium
Lamp Type	LED



Dimensional Drawings



Photometric information available upon request.