



## 9.2W LED SOLAR BOLLARD BLK 900MM IP65

### VBSOLB010PRE



The VIBE colour changing LED Solar bollard is designed to deliver exceptional dusk-to-dawn constant lighting, ensuring your outdoor space remains well-illuminated throughout the night without manual adjustments. The bollards weatherproof construction features a lamp housing made from high-impact polycarbonate, complemented by a stem and baseplate of powder-coated aluminum, all secured by tamper-proof fixings. Select from three different light colour temperatures - to tailor individual lighting preference, alongside convenient ON/OFF manual control. Notably, chosen settings are memorised for trouble-free automatic dusk-to-dawn lighting, making it an ideal choice for both residential and commercial outdoor spaces.

### Features & Benefits

- Remote controlled RGB CCT colour selection, timer and brightness
- >3 nights autonomy
- Reinforced aluminium bollard and baseplate
- Custom bollard stem colours available
- Symmetrical light pattern
- Stainless steel tamper proof fixings
- Australian standard P5 compliant
- Automatic dusk to dawn lighting
- LiFeP04 Battery: 12AH 3.2V (38.4Wh)



## 9.2W LED SOLAR BOLLARD BLK 900MM IP65

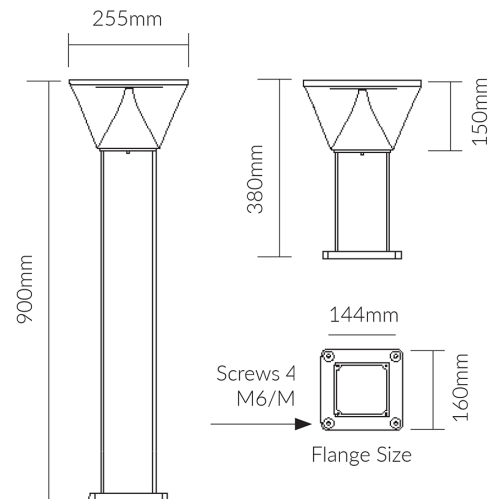
VBSOLB010PRE

### Specifications

<b>SKU</b>	VBSOLB010PRE
<b>Light Colour</b>	RGBCW
<b>Wattage</b>	9.2 W
<b>IP rating</b>	65
<b>Trim colour</b>	Black
<b>Width</b>	255 mm
<b>Height</b>	900 mm
<b>Lifespan</b>	50000 Hours
<b>Warranty</b>	2 Years
<b>Material</b>	Powder-coated Aluminium
<b>Lamp Type</b>	LED



### Dimensional Drawings



*Photometric information available upon request.*